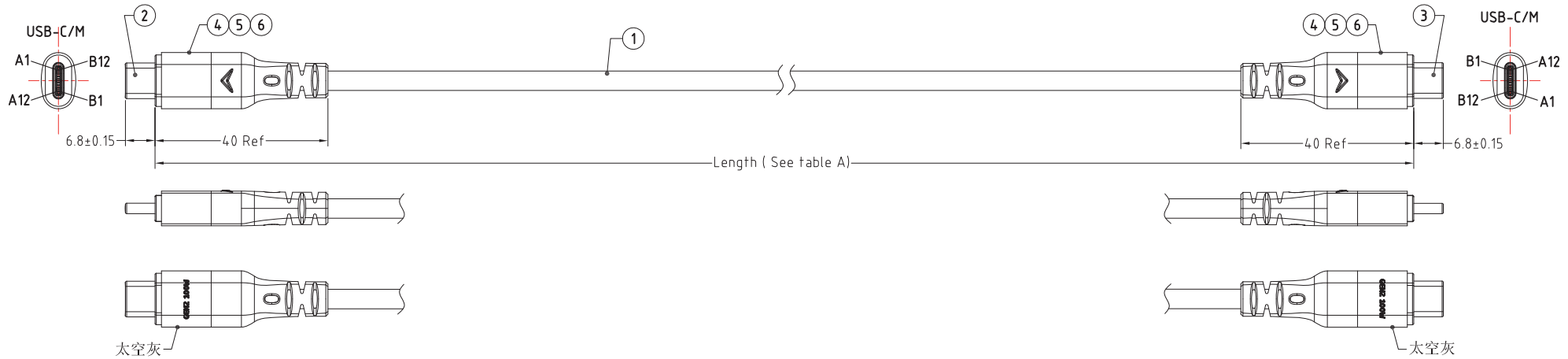
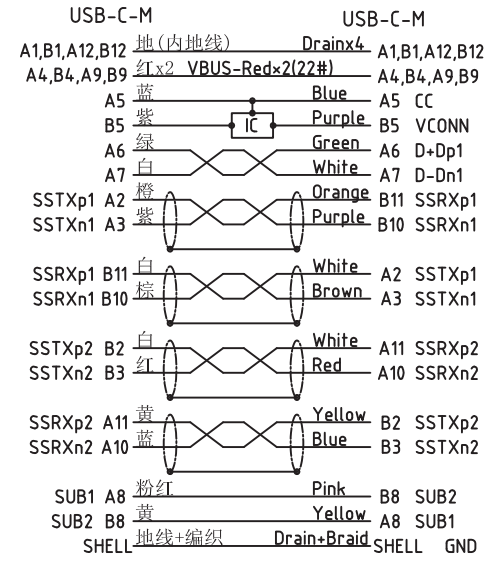


REV.	Revision note	Date	Signature	Checked
1.0	Release to productor	22/10/06	Andy	



PIN ASSIGNMENT



Electrical character:
1)100% Passed

USB-C connection
Plug & Play (no driver needed)
With E-Mark (power delivery)
Delivers max. GEN2 100W
Up to 10Gbps
Up to 4K 60Hz (5.4 Gbps)

6	Hood	Aluminium alloy W13xH8, L=11.5mm; positive pole - Space Grey; For USB-C End		
5	Overmold	PVC 60Pa Black UL94V-0	PS02-601101	
4	Innermold	PE Low density	PS00-000201	
3	Conn	USB-C male G/F Black Shell G/F-Plated Solder type, W/Emark FU332	C035P-014A-QL-3u-G	
2	Conn	USB-C male G/F Black Shell G/F-Plated Solder type	C035P-014B-QL-3u-G	
1	Cable	USB-C Cable UL20276(7/0.08T×1P+AL+D+HM)×4C+7/0.08T×1P+7/0.08T×4C+65/0.08T×2C+F+D(50/0.08T) AB(16/5/0.12AL) OD4.5mm Jacket: Black PVC, Impedance:90±5 Ohm	W56-3201604511401-LY1	See Table A
NO.	PART NAME	SPEC DESCRIPTION	PART P/N	REMARK

Mould number:	Customer: C3010	Customer P/N: Xxxxx	Article No./ OL-EN-003		
OLM1USBCM102-1 OLM1USBCM107-2	Designed by: Andy	Checked by:	Approved by	File number: D-xxx	Date: 22/10/06
				Name: USB-C 3.1 GEN2 Male-Male Cable, 32AWG	Scale: 1:1
Packing file:	This drawing contains information that is proprietary to ZHAO Electronics Limited incorporated and should not be used without written permission			P/N: CAUCMF0732-xxxx	Unit: mm
				Edition: 1.0	Sheet: 1/1 A3